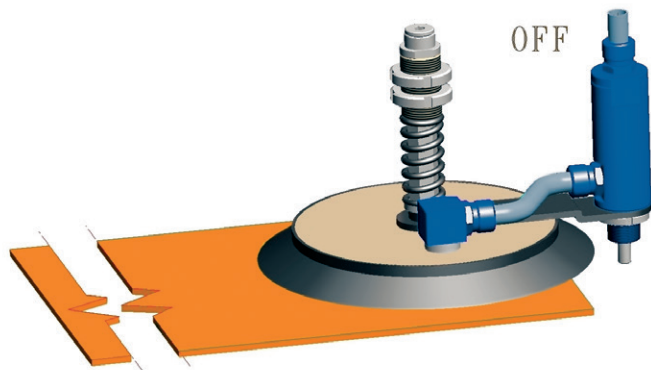
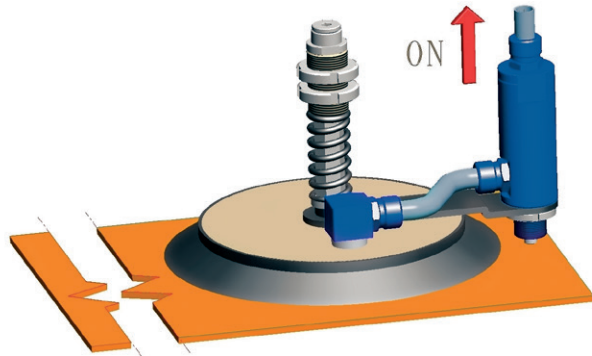
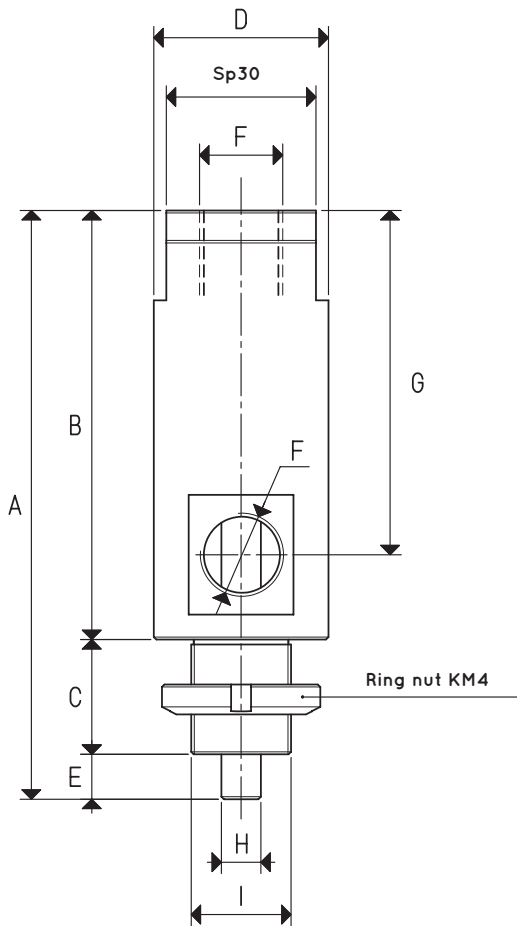
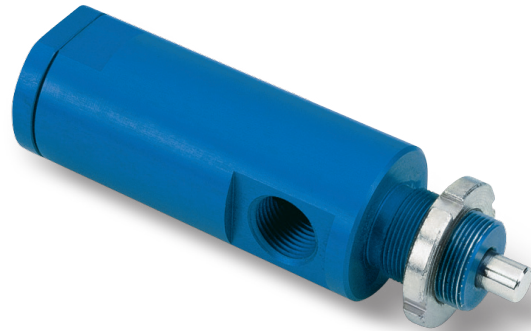


These valves are composed of an anodised aluminium body, a steel pin solidly connected to a conical shutter and of a thrust spring. Connected to vacuum, they are normally closed. They activate suction, thus creating a vacuum, only when the pin is activated by the cams or any other mechanical device. They can be used as an alternative to plunger valves when these cannot be assembled onto the vacuum cups.



Item	A	B	C	D ∅	E	F ∅	G	H ∅	I ∅	Weight g
19 02 30	112	80	23	35	9	G3/8"	63	8	M20 x 1	252