



OxyReg

This pressure regulator ensures a constant output pressure.

The OxyReg is an independent diaphragm regulator, which comes preset by the factory and the risk of pressure tampering by the end-user are therefore prevented, reducing the cost of wasted oxygen due to overpressure.

Our lead free regulator is free of toxic additives. The use of high quality materials such as Grivory® GV-5 FWA and Stainless Steel, as well as a special treatment, is ideal for application in respiratory and anaesthetic equipment.

Besides oxygen the OxyReg can be used for other inert gases such as nitrogen, argon etc.

Your advantages

- ✓ High quality materials
- ✓ Factory preset pressure
- ✓ Service free no adjustment needed
- ✓ Tamper proof
- ✓ No pressure gauge needed
- ✓ Lightweight - compact, inline construction
- ✓ Saves energy reduces costs
- ✓ Highly reliable
- ✓ Locked to prevent pressure change - tamper proof

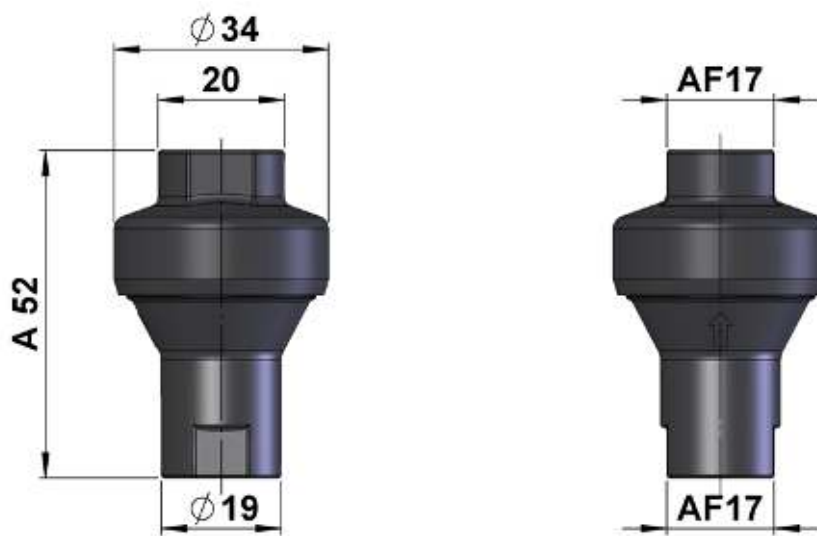


Technical data

Max. inlet pressure:	18 bar
Outlet pressure (preset):	1... 8 bar
Flow:	400- 800 Nl/min
Connection:	¼" BSP ¼" NPT
Temperature range:	4°C to 60°C
Weight:	40g

Applications

Anesthetic equipment	Respiratory equipment
Food- & Drink preservation equipment	Nitrogen filling system



*Dimensions see datasheet on website – protect-air.com

8

O

Oxygen

15.999



7

N

Nitrogen

14.007