

GOYEN CP SERIES – CLOSE PITCHED VALVE

ALUMINIUM BODY X-SPOOL

DESCRIPTION

3" port valve with threaded outlet for installation directly into pressure vessels. Used in the reverse pulse cleaning of particulate filter elements.

FEATURES

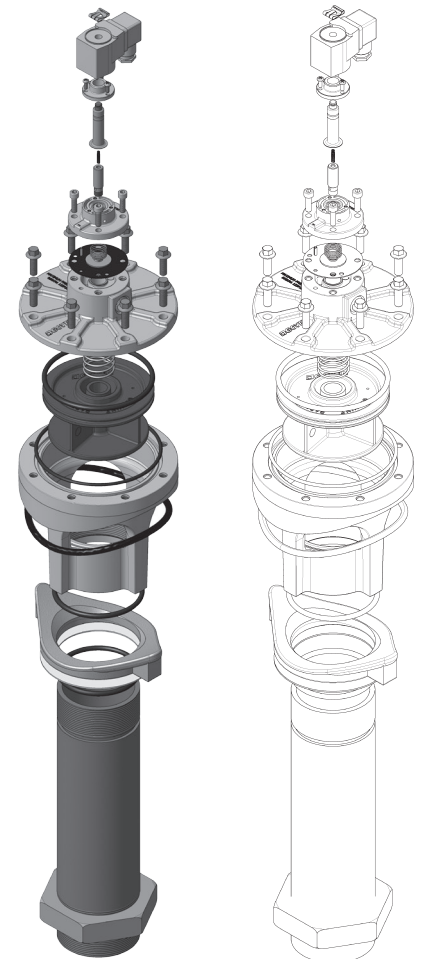
- Minimum valve-to-valve spacing of 175 mm (6.89")
- Valve pressure range from 1 to 8.6 bar (14.5 to 125 psi)
- Very high flow rates
- Rapid open and closing response rates

CONSTRUCTION

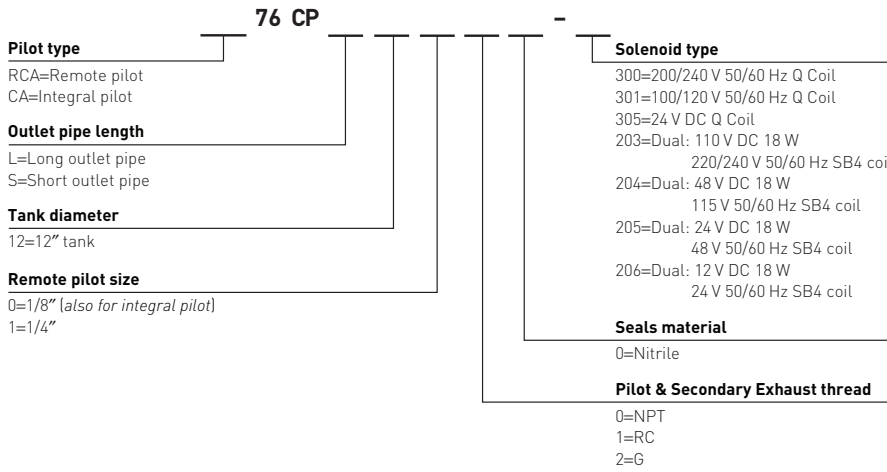
Body:	Aluminium (diecast)
Cover:	Aluminium (diecast)
Gaskets:	Nitrile
Main sealing face:	Acetal
Secondary sealing face:	Nitrile
Ferrule:	305SS
Armature:	430 FR SS
Springs:	304SS
Screws:	302SS

CHARACTERISTICS & PERFORMANCE

Pipe size:	3" Schedule 40
Suitable tank diameter:	12" nominal
Remote pilot connection:	1/8" NPT or RC 1/4" Gas/BSPP
Secondary exhaust port:	3/8" NPT or RC
Operating pressure range:	1–8.6 bar 14.5–125 psi
Operating temperature range:	–20 to 100°C –4 to 212°F
Weight (integral pilot) – valve:	3.05 kg 6.72 lb
Weight (remote pilot) – valve:	2.96 kg 6.53 lb
Minimum spacing between valves:	175 mm 6.89"
Installation hole size in manifold:	165.5 mm (6.52") – Valve side 92.0 mm (3.62") – Outlet side



ORDER CODE - VALVE (INCLUDES VALVE OUTLET PIPE AND SEALS)



MAINTENANCE PARTS

MODEL	KIT
K7613	Mounting seal kit (76CPV) Nitrile
K7614	Valve repair kit (76CPV) Nitrile. Includes X-Spool & spring, and secondary diaphragm & spring.
K0380	Pilot service kit
KB76CP0-TL0	Long pipe with carbon steel + cataphoresis
KB76CP0-TL1	Long pipe with flange in Stainless steel 304L
KB76CP0-TS0	Short pipe with flange in carbon steel + cataphoresis
KB76CP0-TS1	Short pipe with flange in Stainless steel 304L

Complete system assemblies with manifolds available, enquire for further details. Manifolds available with ASME and PED certifications, in carbon and stainless steel.

