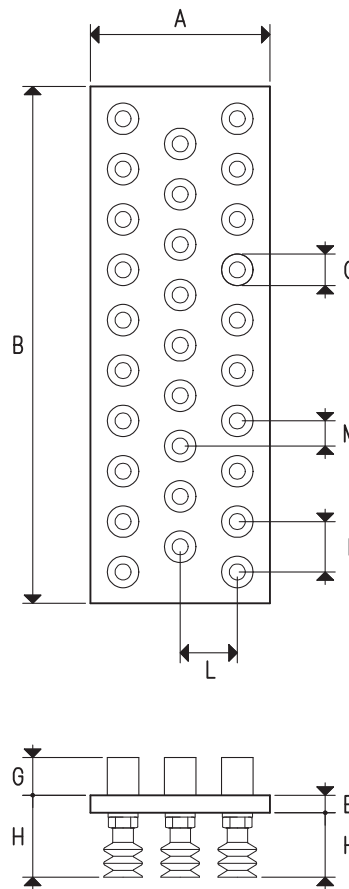
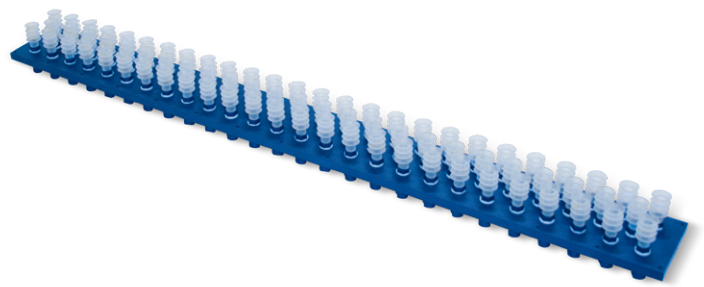


The suction plates described on this page are the same as the previously described PY and P2V, but with the addition of shut-off valves inserted in each vacuum cup support connection. In absence of an object to grip or in case of a defective grip of the cup, the shut-off valves automatically close the suction inlet, thus preventing the level of vacuum from decreasing on the other gripping vacuum cups. This feature reduces the vacuum generator flow rate compared to standard OCTOPUS gripping bars with calibrated holes, to the benefit of energy savings. Their particular shape of our shut-off valves allows the use of the gripping surfaces in any position.



Item	Force Kg	A	B	C Ø	E	F	G	H	I	L	M	Vacuum cup example item	Valves and vacuum cups No.	Weight Kg
<b>PVE 08 60</b>	35.3	80	600	18	10	36	18	46	30	20	15	01 18 29	56	1.96
<b>PVE 08 80</b>	48.5	80	800	18	10	36	18	46	30	20	15	01 18 29	77	2.61
<b>PVE 08 100</b>	59.9	80	1000	18	10	36	18	46	30	20	15	01 18 29	95	2.91
<b>PVE 08 120</b>	73.0	80	1200	18	10	36	18	46	30	20	15	01 18 29	116	3.28
<b>PVE 12 40</b>	20.8	120	400	18	10	36	18	46	34	35	--	01 18 29	33	2.35
<b>PVE 12 60</b>	34.0	120	600	18	10	36	18	46	40	25	20	01 18 29	54	2.93
<b>PVE 12 80</b>	46.6	120	800	18	10	36	18	46	40	25	20	01 18 29	74	3.92
<b>PVE 12 100</b>	59.2	120	1000	18	10	36	18	46	40	25	20	01 18 29	94	4.89
<b>PVE 12 120</b>	71.8	120	1200	18	10	36	18	46	40	25	20	01 18 29	114	5.88
<b>PVE 12 140</b>	84.4	120	1400	18	10	36	18	46	40	25	20	01 18 29	134	7.05

NOTE: The code PVE ... only identifies the suction plate with the relative supports for the vacuum cups screwed onto it and the built-in shut-off valves. The vacuum cups indicated in the table or those chosen freely are not included with the suction plate and therefore must be ordered separately.