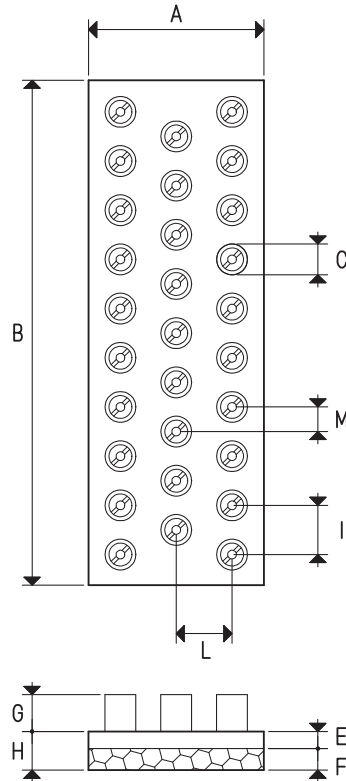
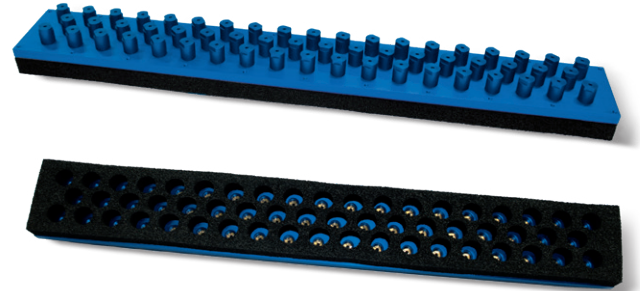


The suction plates described on this page are the same as the previously described PX and P2X, but with the addition of shut-off valves inserted in each hole. In absence of an object to grip or in case of a defective grip of the foam rubber, the shut-off valves automatically close the suction inlet, thus preventing the level of vacuum from decreasing on the other gripping holes.

This feature reduces the vacuum generator flow rate compared to standard OCTOPUS gripping bars, to the benefit of energy savings. Moreover, the particular shape of our shut-off valves allows the use of the gripping surfaces in any position.



Item	Force Kg	A	B	C Ø	E	F	G	H	I	L	M	Valves No.	Only rubber item	Weight Kg
PXE 08 60	43.7	80	600	20	10	20	18	30	30	20	15	56	00 BO 21	1.69
PXE 08 80	60.0	80	800	20	10	20	18	30	30	20	15	77	00 BO 25	2.25
PXE 08 100	74.1	80	1000	20	10	20	18	30	30	20	15	95	00 BO 111	2.27
PXE 08 120	90.5	80	1200	20	10	20	18	30	30	20	15	116	00 BO 113	2.54
PXE 12 40	25.7	120	400	20	10	20	18	30	34	35	15	33	00 BO 68	2.03
PXE 12 60	42.1	120	600	20	10	20	18	30	40	25	20	54	00 BO 32	2.53
PXE 12 80	57.7	120	800	20	10	20	18	30	40	25	20	74	00 BO 23	3.38
PXE 12 100	73.3	120	1000	20	10	20	18	30	40	25	20	94	00 BO 43	4.22
PXE 12 120	88.9	120	1200	20	10	20	18	30	40	25	20	114	00 BO 45	5.07
PXE 12 140	104.5	120	1400	20	10	20	18	30	40	25	20	134	00 BO 76	6.08
P2XE 08 60	43.7	80	600	20	10	30	18	40	30	20	15	56	00 BO 87	1.72
P2XE 08 80	60.0	80	800	20	10	30	18	40	30	20	15	77	00 BO 88	2.28
P2XE 08 100	74.1	80	1000	20	10	30	18	40	30	20	15	95	00 BO 114	2.30
P2XE 08 120	90.5	80	1200	20	10	30	18	40	30	20	15	116	00 BO 115	2.58
P2XE 12 40	25.7	120	400	20	10	30	18	40	34	35	15	33	00 BO 81	2.06
P2XE 12 60	42.1	120	600	20	10	30	18	40	40	25	20	54	00 BO 89	2.58
P2XE 12 80	57.7	120	800	20	10	30	18	40	40	25	20	74	00 BO 90	3.44
P2XE 12 100	73.3	120	1000	20	10	30	18	40	40	25	20	94	00 BO 91	4.30
P2XE 12 120	88.9	120	1200	20	10	30	18	40	40	25	20	114	00 BO 92	5.16
P2XE 12 140	104.5	120	1400	20	10	30	18	40	40	25	20	134	00 BO 93	6.16