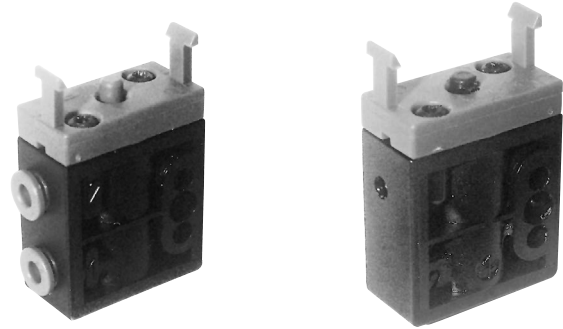
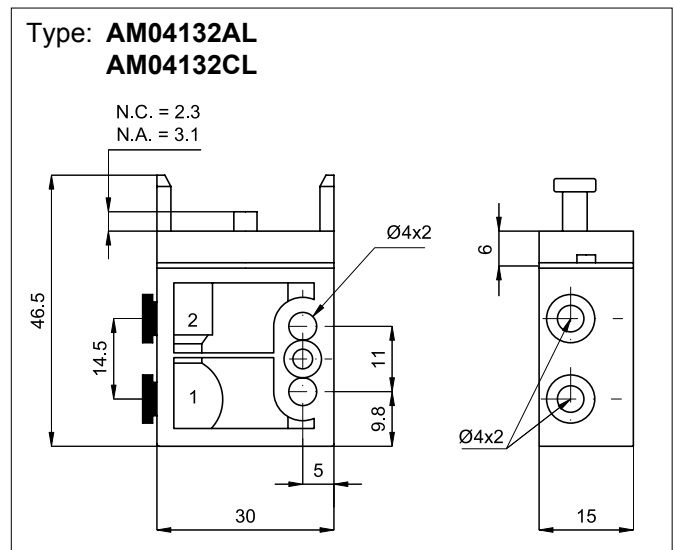
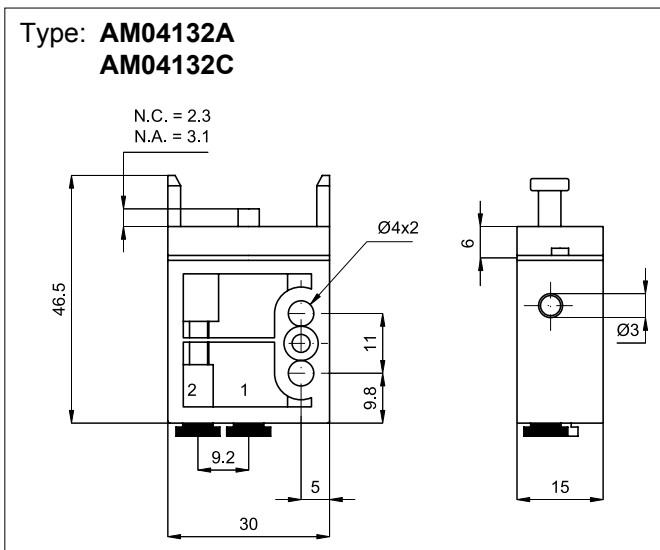


Standard executions			
Version	Symbol	Code	Item
Normally open		030251	AM04132A
Normally closed		030252	AM04132C
Normally open with side connections		030253	AM04132AL
Normally closed with side connections		030254	AM04132CL



Series of poppet microvalves arranged for operating manually. Connections with integral 4 mm push-in fittings. According to the application you can choose between the version with bottom connections or with side ones.

For the choice of the operating device see page 2.265.1.



Technical data	
Fluid	Compressed filtered air with or without lubrication. Lubrication, if started, must be continued.
Pressure range	0 ÷ 8 bar
Temperature range	-20 °C ÷ + 80 °C
Operating force	5 N
Flow	80 NI/min.
Connections	With integral 4 mm push-in fittings
Fixing	Through 2 holes (Ø 4 mm) on the body Through 1 hole (Ø 22 mm) on panel (with operating device mounted)
Mounting	In any position
Materials	Body: Acetal resin Seals: Nitrile rubber (NBR)