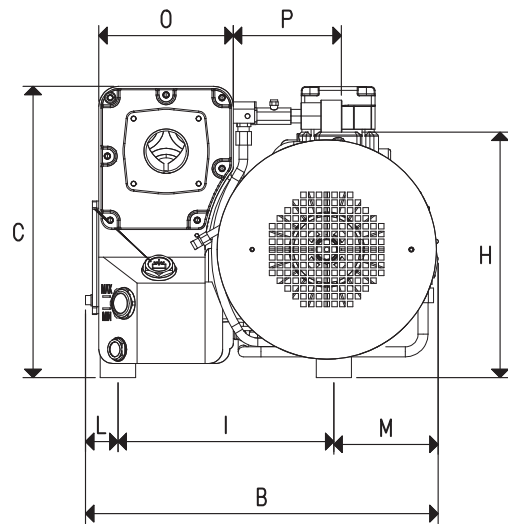
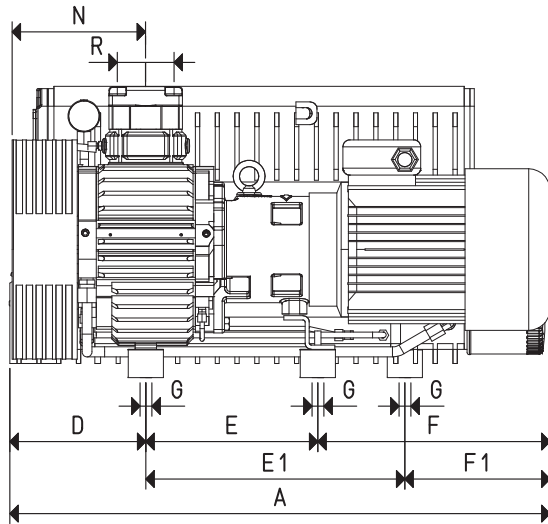


To calculate the emptying time of a volume of V_1 , use the following formula: $t_1 = \frac{t \times V_1}{100}$

- Green line: Curve relative to the flow rate (referring to the suction pressure)
- - - Red line: Curve relative to the flow rate (referring to a 1013 mbar pressure)
- Blue line: Curve regarding the emptying time of a 100-litre volume

- V_1 : Volume to be emptied (l)
- t_1 : time to be calculated (sec)
- t : time obtained in the table (sec)



Item		RVP 160		RVP 200	
Frequency		50 Hz	60 Hz	50 Hz	60 Hz
Flow rate	m ³ /h	160.0	190.0	200.0	240.0
Final pressure	mbar abs.	0.5		0.5	
H ₂ O steam quantity permitted	Kg/h	2.5		4	
Motor performance 3~	Volt	400/690 ± 10%	480/830 ± 10%	400/690 ± 10%	480/830 ± 10%
Motor power 3~	Kw	4	5.5	4	5.5
Motor protection	IP	55		55	
Rotation speed	g/min ⁻¹	1450	1740	1450	1740
Motor shape		B14		B14	
Motor size		112		112	
Noise level	dB(A)	72	73	74	75
Max weight	kg	142.0		145.0	
A		761		761	
B		495		495	
C		411		411	
D		192		192	
E		243		243	
E1		366		366	
F		326		326	
F1		205		205	
G	∅	M10		M10	
H		310		310	
I		305		305	
L		25		25	
M		165		165	
N		189		189	
O		80		80	
P		65		65	
R	∅ gas	G2"		G2"	
Accessories and Parts		RVP 160		RVP 200	
Oil charge	L	8		8	
Lubricating oil	type	VT OIL 100		VT OIL 100	
Oil filter	item	00 RVP 160 07		00 RVP 200 07	
3 deoiling cartridges	item	00 RVP 160 05		00 RVP 200 05	
3 vanes	item	00 RVP 160 04		00 RVP 200 04	
Sealing kit	item	00 RVP 160 06		00 RVP 200 06	
Check valve	item	00 RVP 160 03		00 RVP 200 03	
Suction filter	item	FC 60		FC 60	
Ballast valve	item	integrated		integrated	