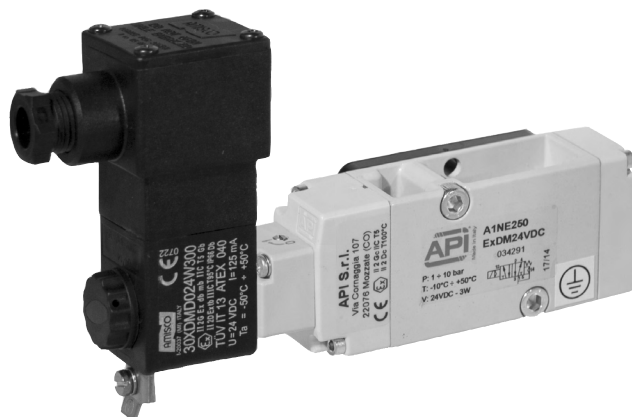


Standard executions			
Version	Symbol	Code	Item
3/2 NC solenoid/spring		034289	A1NE230/ExDM24VDC
3/2 solenoid/solenoid		034290	A1NE232/ExDM24VDC
5/2 solenoid/spring		034291	A1NE250/ExDM24VDC
5/2 solenoid/solenoid		034292	A1NE251/ExDM24VDC

Supplied according Directive 94/9/EC - Encapsulated coil

*New*



Series of spool valves, with static seals, high flow, for mounting on NAMUR interface and conforming to 94/9/EC Directive, certified:

II 2Gc IIC T5  
II 2Dc T100°C

Solenoid operator with a special coil for pneumatic application in potentially explosive ambient (group II). The protection is assured by a thermal fuse that, in case of damage, disconnects the coil from power.

Solenoid system is conforming to 94/9/EC Directive, certified::

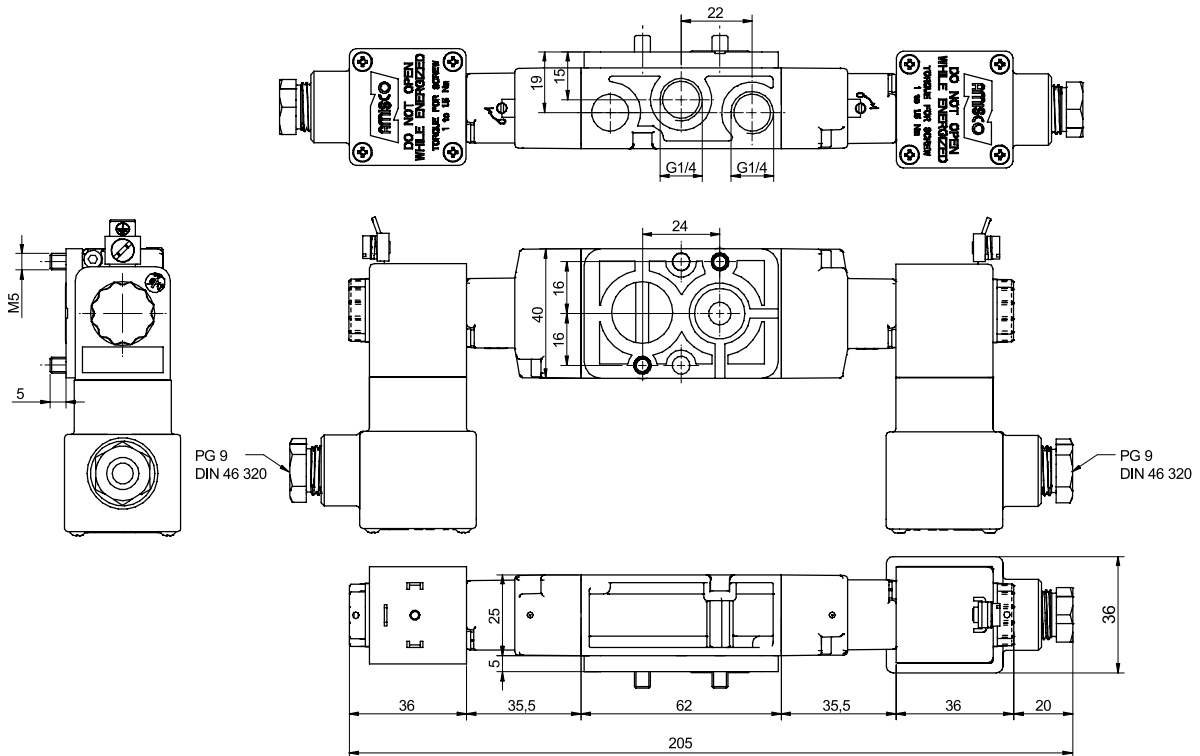
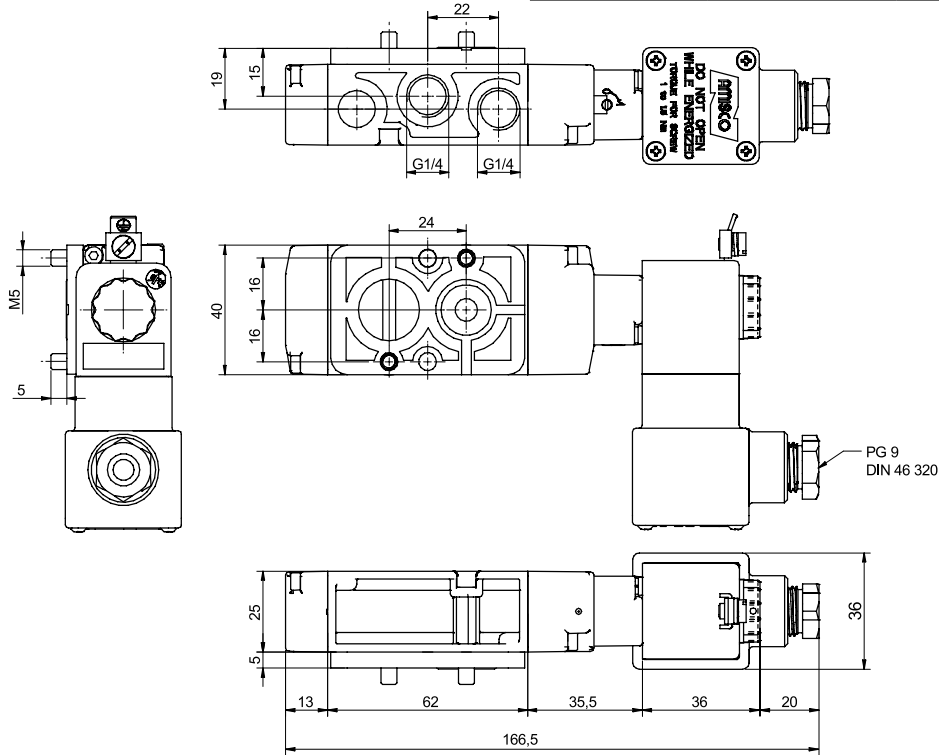
II 2G Ex db mb IIC Tx Gb X  
II 2D Ex tb IIIC Tx°C IP66 DbX

### Code key

Series	Actuation	Size	Function	Electropilot
A1	NE= NAMUR	2 = 1/4"	30 = 3/2 NC 32 = 3/2 solenoid/solenoid 52 = 3/2 solenoid/spring 32 = 3/2 solenoid/solenoid	ExDM24VDC

Technical data															
Fluid	Compressed filtered air with or without lubrication. Lubrication, if started, must be continued.														
Pressure range	1 ÷ 10 bar														
Temperature range	-10°C ÷ +50°C														
Orifice	7 mm														
Flow	1.000 NI/min at 6 bar with ΔP 1 bar														
Mounting	In any position														
Manual override	Two stable positions														
Caratteristiche elettriche	24 VDC 3 W														
Voltaggio massimo ammissibile	125 mA														
Duty cycle	100% ED														
Materials	<table border="0"> <tr> <td>Body:</td> <td>Die-cast painted aluminium</td> </tr> <tr> <td>Covers:</td> <td>Delrin 500</td> </tr> <tr> <td>Spool:</td> <td>Hard aluminium anodized</td> </tr> <tr> <td>Distancers:</td> <td>Fortron 1140 L4</td> </tr> <tr> <td>Seals:</td> <td>Hydrogenated Nitrile Butadiene Rubber (HNBR)</td> </tr> <tr> <td>Coil and connector:</td> <td>Thermoset Resin</td> </tr> <tr> <td>Spacer:</td> <td>Plastic</td> </tr> </table>	Body:	Die-cast painted aluminium	Covers:	Delrin 500	Spool:	Hard aluminium anodized	Distancers:	Fortron 1140 L4	Seals:	Hydrogenated Nitrile Butadiene Rubber (HNBR)	Coil and connector:	Thermoset Resin	Spacer:	Plastic
Body:	Die-cast painted aluminium														
Covers:	Delrin 500														
Spool:	Hard aluminium anodized														
Distancers:	Fortron 1140 L4														
Seals:	Hydrogenated Nitrile Butadiene Rubber (HNBR)														
Coil and connector:	Thermoset Resin														
Spacer:	Plastic														

Version	Symbol	Code	Item
3/2 NC solenoid/spring		034289	A1NE230/ExDM24VDC

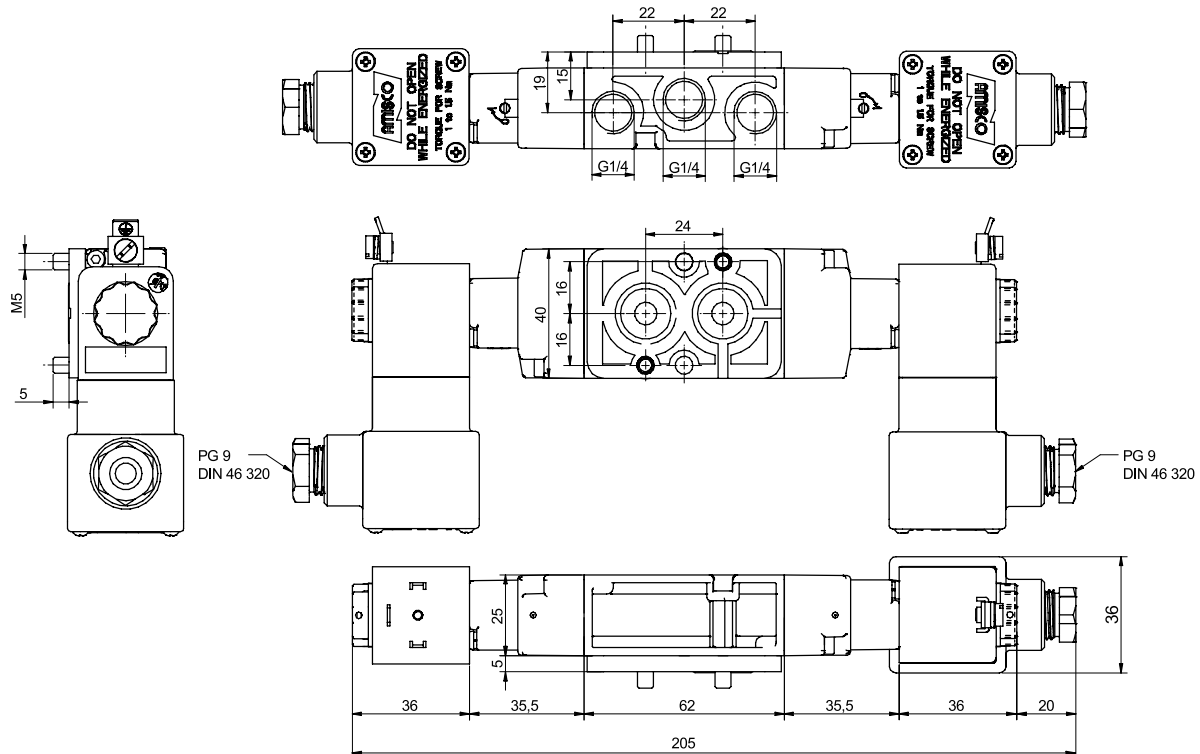
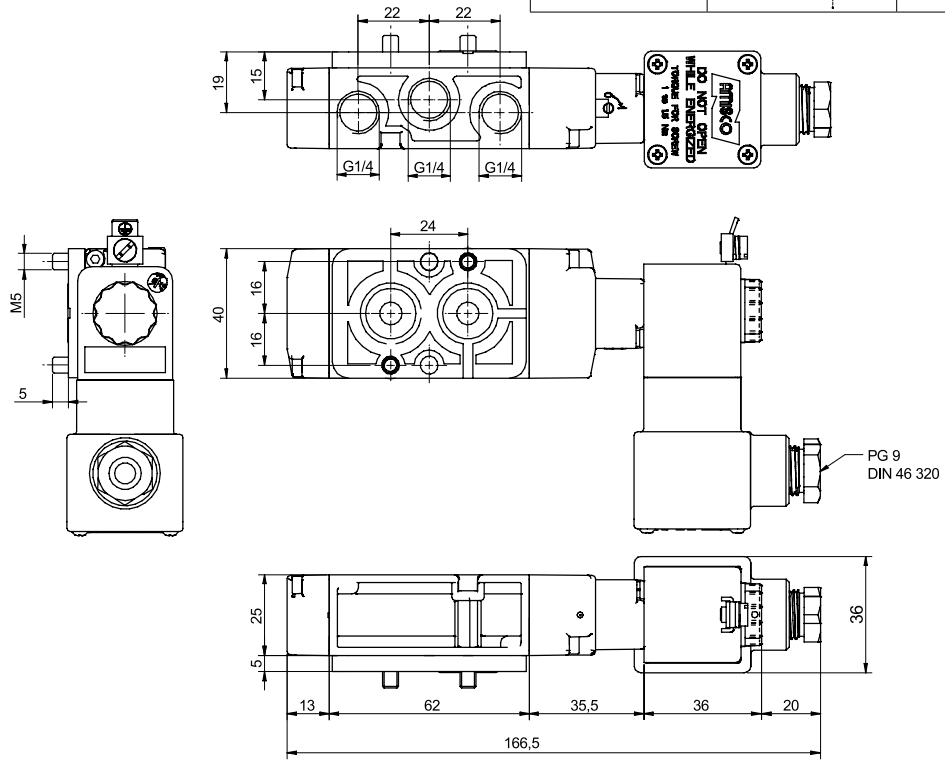


Version	Symbol	Code	Item
3/2 NC solenoid/solenoid		034290	A1NE232/ExDM24VDC

# Valves series A1- Encapsulated coil ExDM

1/4", 3/2 - 5/2, NAMUR interface, electrically operated ExDM

Version	Symbol	Code	Item
5/2 NC solenoid/spring		034291	A1NE250/ ExDM24VDC



Version	Symbol	Code	Item
5/2 NC solenoid/solenoid		034292	A1NE251/ ExDM24VDC