

Standard executions		
Version	Code	Item
2 positions	034041	A1B102
3 positions	034042	A1B103
4 positions	034043	A1B104
5 positions	034044	A1B105
6 positions	034045	A1B106
7 positions	034046	A1B107
8 positions	034047	A1B108
9 positions	034048	A1B109
10 positions	034049	A1B110
blanking plate	034050	A1C1
plug	034051	A1T1



Multi-position sub-bases with fixed position, for valves series A1, 3 and 5 ways. 2 fixing screws for each position and the relevant seals are included in the base kit.
Spare positions can be blanked with plate.

Material:	Profiled anodised aluminium
-----------	-----------------------------

Code key

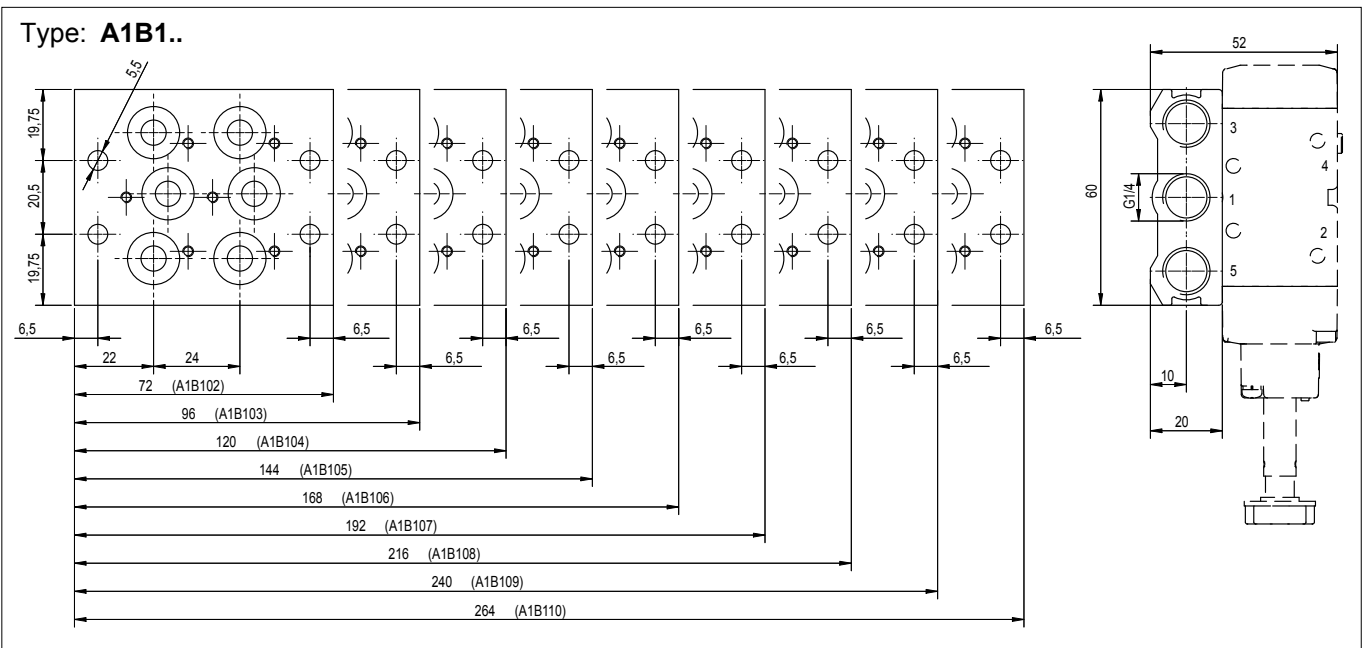
Series	Product	Size	N° positions
A1	B = base C = blanking plate T = plug	1 = 1/8" 2 = 1/4"	from 02 to 10



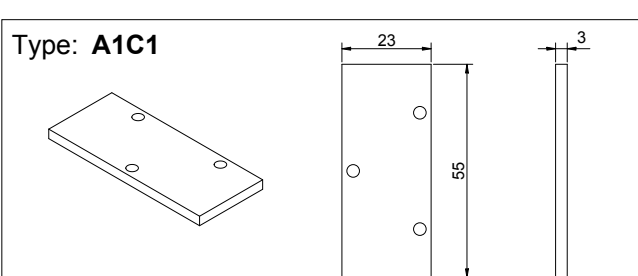
II 2Gc IIC T5
II 2Dc T100°C

On request, they can be supplied according to 94/9/EC - **ATEX**

Multi position sub-base



Blanking plate



Plug

