

New



| Standard executions | | | |
|-------------------------------|--------|--------|-------|
| Version | Symbol | Code | Item |
| 3/2 NC - 24VDC | | 036000 | A230A |
| 3/2 NC - 12VDC | | 036030 | A230B |
| 3/2 NA - 24VDC | | 036001 | A231A |
| 3/2 NA - 12VDC | | 036031 | A231B |
| 3/2 solenoid/solenoid - 24VDC | | 036002 | A232A |
| 3/2 solenoid/solenoid - 12VDC | | 036032 | A232B |
| 2-3/2 NC-NA - 24VDC | | 036040 | A233A |
| 2-3/2 NC-NC - 24VDC | | 036041 | A234A |
| 2-3/2 NA-NA - 24VDC | | 036042 | A235A |
| 5/2 solenoid/spring - 24VDC | | 036003 | A250A |
| 5/2 solenoid/spring - 12VDC | | 036033 | A250B |
| 5/2 solenoid/solenoid - 24VDC | | 036004 | A251A |
| 5/2 solenoid/solenoid - 12VDC | | 036034 | A251B |
| 5/3 CC - 24VDC | | 036005 | A270A |
| 5/3 CC - 12VDC | | 036035 | A270B |
| 5/3 CA - 24VDC | | 036006 | A271A |
| 5/3 CA - 12VDC | | 036036 | A271B |
| 5/3 CP - 24VDC | | 036007 | A272A |
| 5/3 CP - 12VDC | | 036037 | A272B |

Series of spool valves, for multi-pole connection on island sub-base.

This series of modern valves are innovative and highly performing:

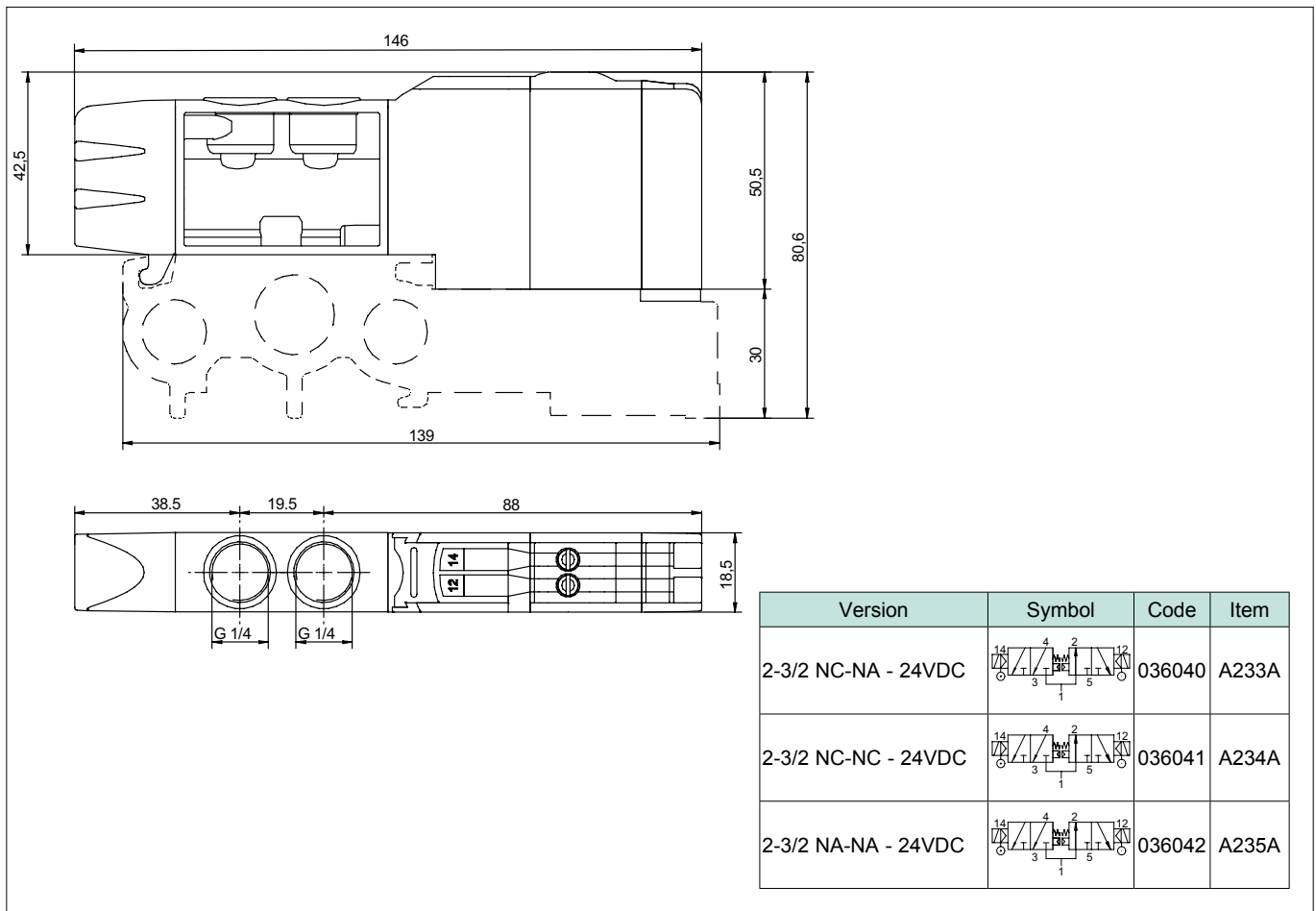
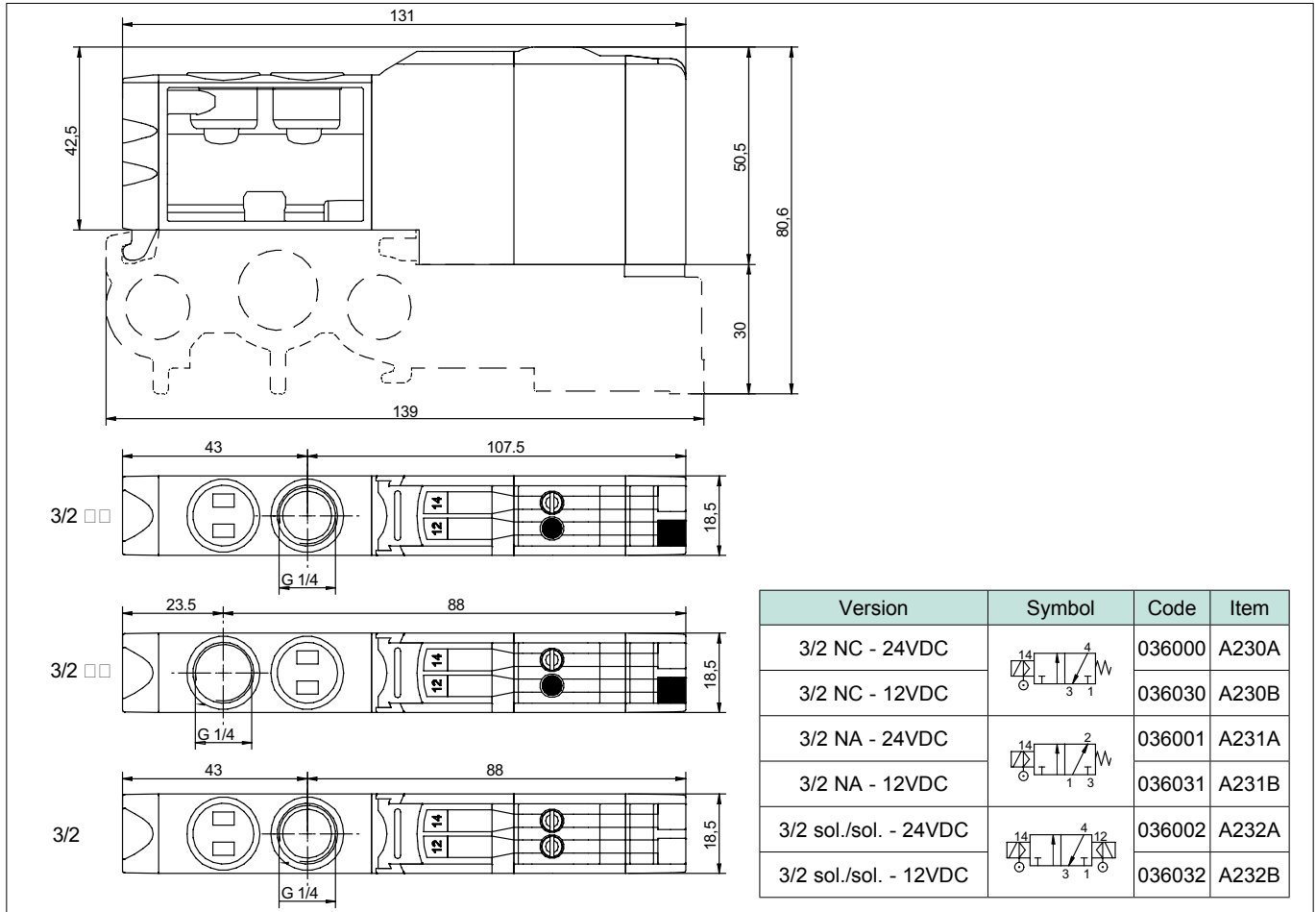
- With reduced overall dimensions and high flow rates;
- Electric pilots on solenoid / solenoid version are both on same side;
- Coils with low power consumption;
- Possibility of feeding with different pressures different valves (by integrating a membrane module within the base);
- Can be set for separate internal feeding;
- Fast and practical assembly: each valve, even if in an intermediate position, can be easily replaced by individually operating on such valve only;
- "Push" manual override, spring return and two position;
- With LED.

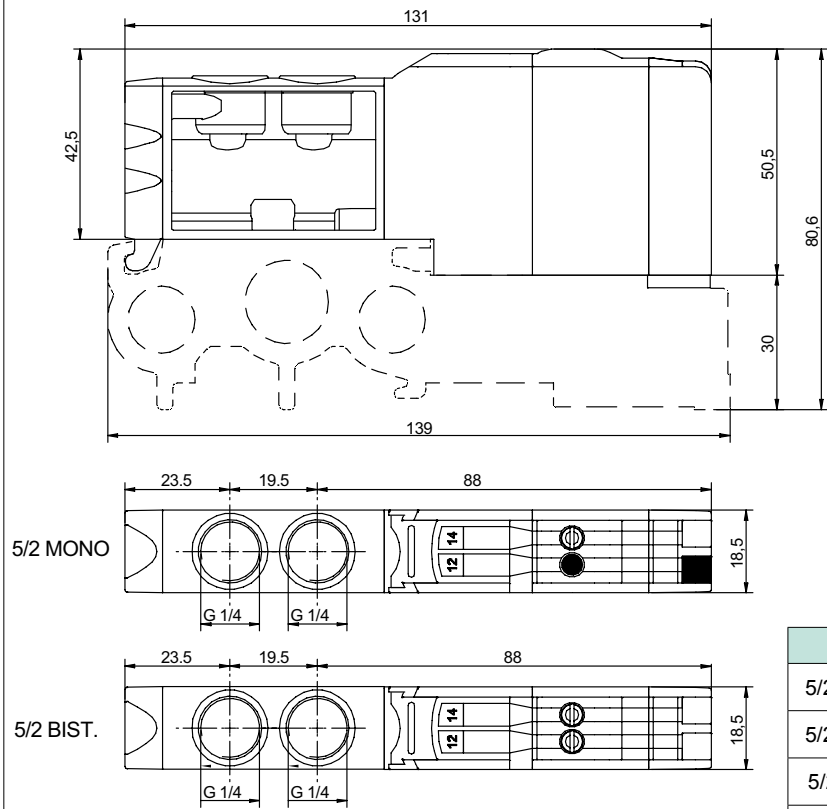
For bases and accessories
For configurations

see page 2.105.4
see page 2.105.7

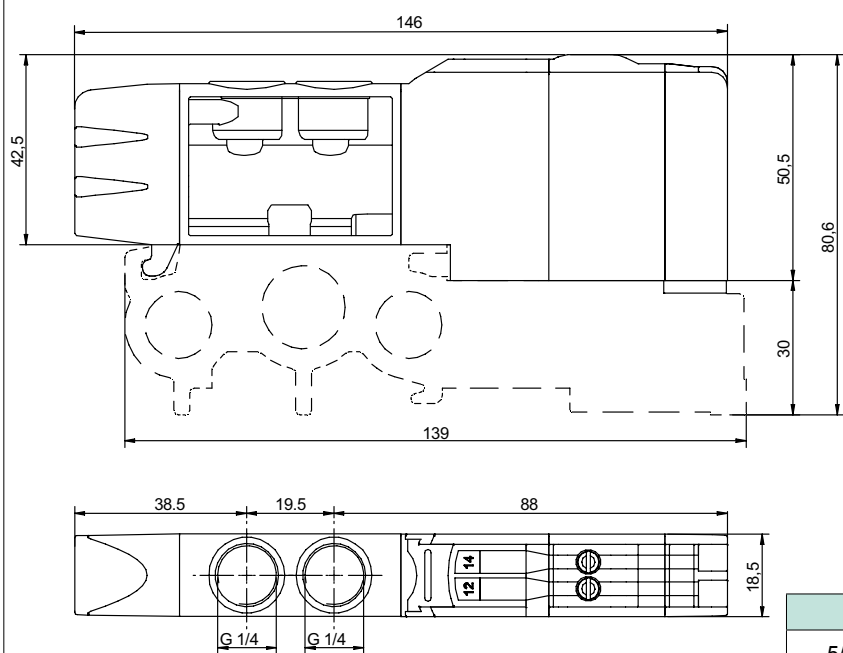
| Series | Function | Voltage |
|--------|--|---|
| A2 | 30 = 3/2 NC 31 = 3/2 NA 32 = 3/2 solenoid/solenoid 33 = 2-3/2 NC-NA 34 = 2-3/2 NC-NC 35 = 2-3/2 NA-NA 50 = 5/2 solenoid/spring 51 = 5/2 solenoid/solenoid | 70 = 5/3 CC 71 = 5/3 CA 72 = 5/3 CP |
| | | A = 24VDC B = 12VDC |

| Technical data | | | |
|---------------------------|--|--|----------------------|
| Fluid | Compressed filtered air with or without lubrication. Lubrication, if started, must be continued. | | |
| Pressure range | Max 7 bar | | |
| Temperature range | -5 °C ÷ + 50°C | | |
| Minimum piloting pressure | Monostable: 2,5 bar | Bistable: 1 bar | 3 positions: 2,5 bar |
| Orifice | 7 mm | | |
| Flow | 850 l/min at 6 bar with ΔP 1 bar | | |
| Mounting | In any position | | |
| Manual override | Push mono and two stable positions | | |
| Electric control | 24 VDC (standard) | | 12 VDC (on request) |
| Electrical consumption | 1.5 W | | 1.4 W |
| Duty cycle | 100% ED | | 100% ED |
| LED | Red | | Red |
| Materials | Body: | Die-cast painted aluminium | |
| | Covers: | PBT | |
| | Spool: | Hard aluminium anodized | |
| | Distancers: | Aluminium | |
| | Seals: | Hydrogenated Nitrile Butadiene Rubber (HNBR) | |





| Version | Symbol | Code | Item |
|-------------------------|--------|--------|-------|
| 5/2 sol./spring - 24VDC | | 036003 | A250A |
| 5/2 sol./spring - 12VDC | | 036033 | A250B |
| 5/2 sol./sol. - 24VDC | | 036004 | A251A |
| 5/2 sol./sol. - 12VDC | | 036034 | A251B |



| Version | Symbol | Code | Item |
|----------------|--------|--------|-------|
| 5/3 CC - 24VDC | | 036005 | A270A |
| 5/3 CC - 12VDC | | 036035 | A270B |
| 5/3 CA - 24VDC | | 036006 | A271A |
| 5/3 CA - 12VDC | | 036036 | A271B |
| 5/3 CP - 24VDC | | 036007 | A272A |
| 5/3 CP - 12VDC | | 036037 | A272B |