



2/2 WAY PISTON ACTUATED VALVE G 1/2" ÷ 2", REGULAR VERSION - BRONZE

60 01

TECHNICAL SPECIFICATIONS

- Media: water, oil, air, steam^①
- Media temperature: -10°C ÷ +180°C
- Ambient temperature: -10°C ÷ +60°C
- Pilot media^②: instrument air, inert gases
- Body material: bronze (CB491K EN1982)
- Bonnet material: brass (CW617N EN12165)
- Actuator body material: Polyamide PA6 (reinforced fiberglass 30%)
- Seal material: PTFE
- Position indicator as standard

BENEFITS

- Waterhammer-free design for **BCG** - **DCG** (with flow direction 2→1)
- Actuator housing rotation 360°

OPTIONS

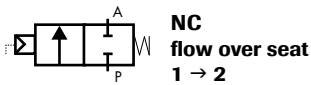
- Stroke regulator assembled ex-factory, see TIS *1801* (e.g. code CG205STWR0)
- Travel switch assembled ex-factory, see TIS *1801* (e.g. code RCG209STK10)
- NPT** connection (e.g. code BCN207LTY00)
- Design for vacuum applications up to 10⁻² mbar (e.g. code DCG210STJ0V)

ACCESSORIES

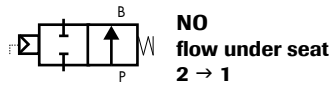
- Position module (see TIS *1806*), travel switch kit (see TIS *1802*), pilot solenoid valves (see TIS *0714*)



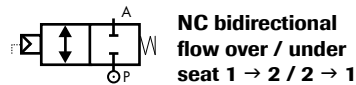
TYPE: CG



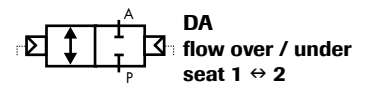
TYPE: RCG



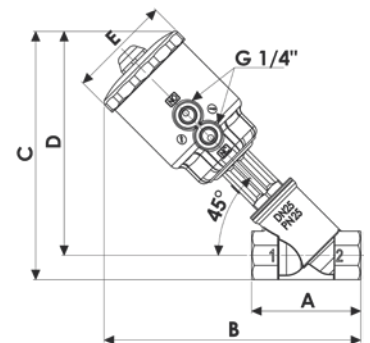
TYPE: BCG



TYPE: DCG



DIMENSIONS & WEIGHTS		DN15	DN20	DN25	DN32	DN40	DN50	DN25	DN32	DN40	DN50
actuator	[mm]	Ø 63						Ø 90			
A	[mm]	65	75	90	110	120	150	90	110	120	150
B	[mm]	192	198	212	225	230	248	223	234	239	257
C	[mm]	184	192	205	217	225	241	216	227	235	250
D	[mm]	171	176	185	193	198	207	196	202	207	216
E	[mm]	85	85	85	85	85	85	112	112	112	112
weight	[kg]	1.2	1.3	1.5	1.9	2.1	2.9	2.0	2.4	2.6	3.3



The products listed below comply with the requirements of the European Pressure Equipment Directive 97/23/EC and carry the CE mark when required. The products fall within the following Pressure Equipment Directive categories:

VALVE TYPE	Bodies	Group 1 gases	Group 1 liquids and Group 2 other fluids
CG - RCG - BCG - DCG	DN15 ÷ DN25 (PN25)	SEP	SEP
	DN32 ÷ DN40 (PN25)	not suitable	SEP
	DN50 (PN16)	not suitable	SEP

WARNING !

According to the European Pressure Equipment Directive 97/23/EC, liquids whose saturated vapour pressure at the maximum allowable temperature is more than 0,5 barg shall be considered as gases.

© D15 6001 U

2/2 WAY PISTON ACTUATED VALVE G 1/2" ÷ 2", REGULAR VERSION - BRONZE

VALVE	body connection	DN	flow rate Kvs	working pressure ①		flow direction	pilot pressure ②		actuator Ø	function
				min.	max.		min.	max.		
code	[ISO 228G]	[mm]	[l/min]	[barg]	[barg]	–	[barg]	[barg]	[mm]	–
CG205STW00	1/2"	15	87	0	20	1 → 2	3.7	10	63	NC
CG206STX00	3/4"	20	164	0	20	1 → 2	4.4	10		
CG207STY00	1"	25	260	0	20	1 → 2	5	10		
CG208STZ00	1 1/4"	32	410	0	16	1 → 2	5.9	10		
CG209STK00	1 1/2"	40	700	0	16	1 → 2	9	10		
CG210STJ00	2"	50	950	0	11	1 → 2	8	10		
CG207LTY00	1"	25	260	0	20	1 → 2	2	8	90	
CG208LTZ00	1 1/4"	32	410	0	16	1 → 2	3.5	8		
CG209LTK00	1 1/2"	40	700	0	16	1 → 2	4	8		
CG210LTJ00	2"	50	950	0	15	1 → 2	6.5	8		

RCG205STW00	1/2"	15	87	0	16	2 → 1	2.5	10	63	NO
RCG206STX00	3/4"	20	164	0	16	2 → 1	4.3	10		
RCG207STY00	1"	25	260	0	16	2 → 1	5.5	10		
RCG208STZ00	1 1/4"	32	410	0	16	2 → 1	6.5	10		
RCG209STK00	1 1/2"	40	700	0	16	2 → 1	9	10		
RCG210STJ00	2"	50	950	0	12	2 → 1	9.4	10		
RCG207LTY00	1"	25	260	0	16	2 → 1	2	8	90	
RCG208LTZ00	1 1/4"	32	410	0	16	2 → 1	4	8		
RCG209LTK00	1 1/2"	40	700	0	16	2 → 1	5	8		
RCG210LTJ00	2"	50	950	0	16	2 → 1	7	8		

BCG205STW00	1/2"	15	87	0	16	1 → 2 / 2 → 1	5.5 / 3.8	10	63	NC bidirectional
BCG206STX00	3/4"	20	164	0	16	1 → 2 / 2 → 1	6 / 3.8	10		
BCG207STY00	1"	25	260	0	16 / 11	1 → 2 / 2 → 1	6.5 / 3.8	10		
BCG208STZ00	1 1/4"	32	410	0	16 / 6	1 → 2 / 2 → 1	6.8 / 3.8	10		
BCG209STK00	1 1/2"	40	700	0	12 / 4	1 → 2 / 2 → 1	9 / 3.8	10		
BCG210STJ00	2"	50	950	0	8 / 2.5	1 → 2 / 2 → 1	9 / 3.8	10		
BCG207LTY00	1"	25	260	0	16 / 14	1 → 2 / 2 → 1	4 / 3.3	8	90	
BCG208LTZ00	1 1/4"	32	410	0	16 / 12	1 → 2 / 2 → 1	5 / 3.3	8		
BCG209LTK00	1 1/2"	40	700	0	16 / 8	1 → 2 / 2 → 1	6 / 3.3	8		
BCG210LTJ00	2"	50	950	0	14 / 6	1 → 2 / 2 → 1	8 / 3.3	8		

DCG205STW00	1/2"	15	87	0	16	1 ↔ 2	1.8	2	63	DA
DCG206STX00	3/4"	20	164	0	16	1 ↔ 2	2	3.8		
DCG207STY00	1"	25	260	0	16	1 ↔ 2	3	5		
DCG208STZ00	1 1/4"	32	410	0	16	1 ↔ 2	4.5	6		
DCG209STK00	1 1/2"	40	700	0	16	1 ↔ 2	6.5	7		
DCG210STJ00	2"	50	950	0	12	1 ↔ 2	9	10		

NOTES

- ① Steam max. working pressure 10 bar (9 barg)
- ② Please contact M&M sales Department for other pilot media
- ③ Minimum pilot pressure at the max. working pressure: for lower working pressures please refer to the COMPARATIVE CHARTS