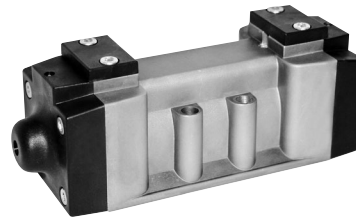


| Standard executions          |        |        |         |
|------------------------------|--------|--------|---------|
| Version                      | Symbol | Code   | Item    |
| 5/2 pilot/spring             |        | 032005 | ISO2P50 |
| 5/2 pilot/pilot              |        | 032011 | ISO2P51 |
| 5/2 pilot/pilot differential |        | 032012 | ISO2P52 |
| 5/3 with closed centres      |        | 032013 | ISO2P70 |
| 5/3 with open centres        |        | 032014 | ISO2P71 |
| 5/3 with pressurised centres |        | 032038 | ISO2P72 |



Series of spool valves, conforming to ISO 5599/1 standards for the mounting only on sub-base.  
For the sub-bases type SBA2... see page 2.137.1

### Code key

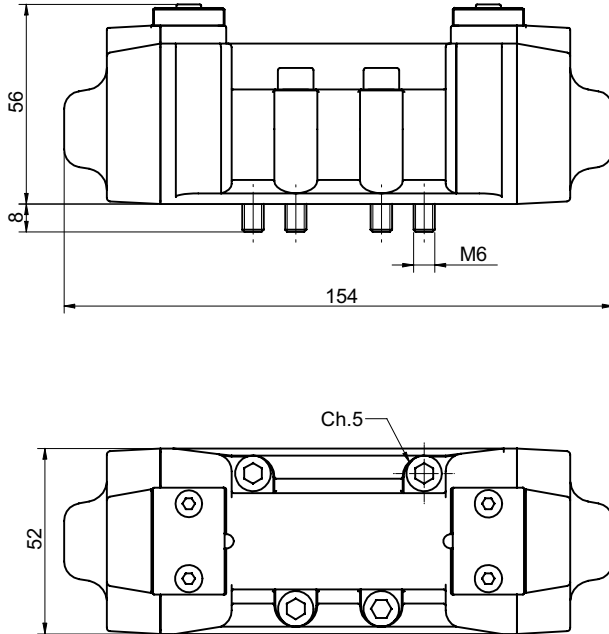
| Series | Size   | Actuation     | Function                                                                                                                        |
|--------|--------|---------------|---------------------------------------------------------------------------------------------------------------------------------|
| ISO    | 1<br>2 | P = pneumatic | 50 = 5/2 pilot/spring<br>51 = 5/2 pilot/pilot<br>52 = 5/2 pilot/pilot differential<br>70 = 5/3 CC<br>71 = 5/3 CO<br>72 = 5/3 CP |



II 2Gc IIC T5  
II 2Dc T100°C

On request, they can be supplied according to 94/9/EC - ATEX

| Technical data            |                                                                                                  |                                              |                      |
|---------------------------|--------------------------------------------------------------------------------------------------|----------------------------------------------|----------------------|
| Fluid                     | Compressed filtered air with or without lubrication. Lubrication, if started, must be continued. |                                              |                      |
| Pressure range            | 0 ÷ 10 bar                                                                                       |                                              |                      |
| Temperature range         | -10°C ÷ +60°C                                                                                    |                                              |                      |
| Orifice                   | 15 mm                                                                                            |                                              |                      |
| Flow                      | 2900 NI/min at 6 bar with ΔP 1 bar                                                               |                                              |                      |
| Minimum piloting pressure | Monostable: 2 bar                                                                                | Bistable: 1 bar                              | 3 positions: 2,5 bar |
| Mounting                  | In any position                                                                                  |                                              |                      |
| Manual override           | Monostable on valve body                                                                         |                                              |                      |
| Materials                 | Body:                                                                                            | Die-cast painted aluminium                   |                      |
|                           | Covers:                                                                                          | PBT                                          |                      |
|                           | Spool:                                                                                           | Hard aluminium anodized                      |                      |
|                           | Distancers:                                                                                      | Aluminium                                    |                      |
|                           | Seals:                                                                                           | Hydrogenated Nitrile Butadiene Rubber (HNBR) |                      |



| Version                      | Symbol | Code   | Item    |
|------------------------------|--------|--------|---------|
| 5/2 pilot/spring             |        | 032005 | ISO2P50 |
| 5/2 pilot/pilot              |        | 032011 | ISO2P51 |
| 5/2 pilot/pilot differential |        | 032012 | ISO2P52 |
| 5/3 with closed centres      |        | 032013 | ISO2P70 |
| 5/3 with open centres        |        | 032014 | ISO2P71 |
| 5/3 with pressurised centres |        | 032038 | ISO2P72 |