

VACUUM ADJUSTMENT VALVES

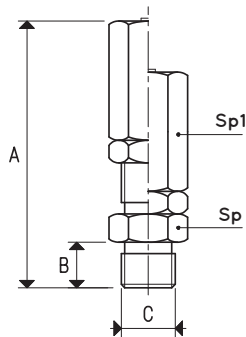
When these valves reach a certain pre-calibrated vacuum degree, they introduce atmospheric air into the circuit to prevent the increase of the set value and to keep it constant.

They can be used as regulators only on circuits having only one vacuum pump and only one use (or more uses but all working at the same vacuum degree).

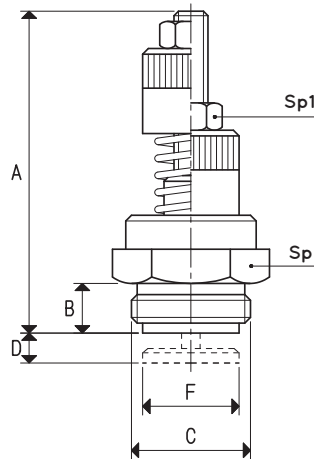
In most cases, they are used as safety valves on non-commissioned tanks or containers at high levels of vacuum and on vacuum cup lifting systems.

The level of vacuum is adjusted by rotating the knurled bush in both directions. The fine thread with which the valve is provided ensures a very accurate calibration.

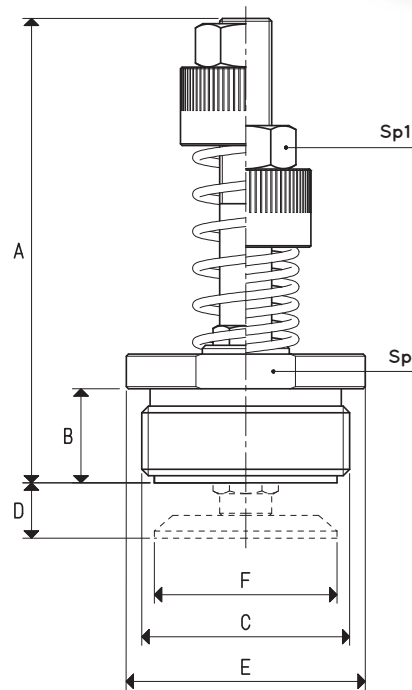
The temperature values within which the valves can operate go from -20 °C to +120 °C.



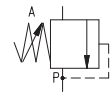
Item 04 01 10



Item 04 02 10
04 03 10
04 04 10



Item 04 05 10



| Item | Vacuum adj. mbar abs. | A | B | C Ø | D | E Ø | F Ø | Sp | Sp1 | Material | Max flow rate of the pump m³/h | Weight g |
|------------|--------------------------|-----|------|---------|----|--------|--------|----|-----|---------------------|--------------------------------------|-------------|
| 04 01 10 | 670 ÷ 1 | 45 | 8 | G1/8" | - | - | - | 12 | 12 | nickel-plated brass | 4 | 30 |
| 04 01 10 I | 670 ÷ 1 | 45 | 8 | G1/8" | - | - | - | 12 | 12 | stainless steel | 4 | 30 |
| 04 02 10 | 670 ÷ 1 | 57 | 9 | G1/2" | 5 | - | 17 | 24 | 10 | nickel-plated brass | 20 | 78 |
| 04 02 10 I | 670 ÷ 1 | 57 | 9 | G1/2" | 5 | - | 17 | 24 | 10 | stainless steel | 20 | 78 |
| 04 03 10 | 670 ÷ 1 | 60 | 11 | G3/4" | 5 | - | 23 | 30 | 17 | nickel-plated brass | 60 | 150 |
| 04 03 10 I | 670 ÷ 1 | 60 | 11 | G3/4" | 5 | - | 23 | 30 | 17 | stainless steel | 60 | 150 |
| 04 04 10 | 670 ÷ 1 | 65 | 14.5 | G1" | 7 | - | 29 | 35 | 17 | nickel-plated brass | 100 | 212 |
| 04 04 10 I | 670 ÷ 1 | 65 | 14.5 | G1" | 7 | - | 29 | 35 | 17 | stainless steel | 100 | 212 |
| 04 05 10 | 670 ÷ 1 | 104 | 22 | G1" 1/2 | 15 | 55 | 42 | 50 | 20 | nickel-plated brass | 250 | 490 |
| 04 05 10 I | 670 ÷ 1 | 104 | 22 | G1" 1/2 | 15 | 55 | 42 | 50 | 20 | stainless steel | 250 | 490 |