



2/2 WAY PISTON ACTUATED VALVE G 1/2" ÷ 1", COMPACT VERSION - BRONZE

12 01

TECHNICAL SPECIFICATIONS

- Media: water, oil, air, steam^①
- Media temperature: -10°C ÷ +180°C
- Ambient temperature: -10°C ÷ +60°C
- Pilot media^②: instrument air, inert gases
- Body material: bronze (CB491K EN1982)
- Bonnet material: brass (CW617N EN12165)
- Actuator body material: Polyamide PA6 (reinforced fiberglass 30%)
- Seal material: PTFE
- Position indicator as standard

BENEFITS

- Waterhammer-free design for **BCG - DCG** (with flow direction 2 → 1)
- Actuator housing rotation 360°
- Design for vacuum applications up to 10⁻² mbar

OPTIONS

NPT connection (e.g. code CN205CTW00)

ACCESSORIES

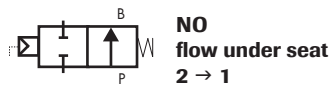
Position module (see TIS *1806*), travel switch kit (see TIS *1802*), pilot solenoid valves (see TIS *0714*)



TYPE: CG



TYPE: RCG



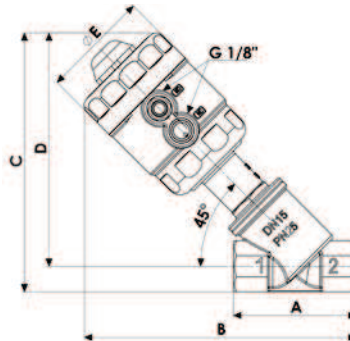
TYPE: BCG



TYPE: DCG



DIMENSIONS & WEIGHTS		DN15	DN20	DN25
actuator	[mm]	Ø 45		
A	[mm]	65	75	90
B	[mm]	144	149	168
C	[mm]	136	142	161
D	[mm]	123	126	141
E	[mm]	57	57	57
weight	[kg]	0.8	0.9	1.1



The products listed below comply with the requirements of the European Pressure Equipment Directive 97/23/EC and carry the CE mark when required. The products fall within the following Pressure Equipment Directive categories:

Bodies	Group 1 gases	Group 1 liquids and Group 2 other fluids
DN15 ÷ DN25 (PN25)	SEP	SEP

WARNING !

According to the European Pressure Equipment Directive 97/23/EC, liquids whose saturated vapour pressure at the maximum allowable temperature is more than 0,5 barg shall be considered as gases.

VALVE	body connection	DN	flow rate Kvs	working pressure ^①		flow direction	pilot pressure ^③		actuator Ø	function
				min.	max.		min.	max.		
code	[ISO 228G]	[mm]	[l/min]	[barg]	[barg]	—	[barg]	[barg]	[mm]	—
CG205CTW00	1/2"	15	75	0	16	1 → 2	3.8	10	45	NC
CG206CTX00	3/4"	20	133	0	16	1 → 2	5.8	10		
CG207CTY00	1"	25	208	0	16	1 → 2	6.5	10		
RCG205CTW00	1/2"	15	75	0	16	2 → 1	4	10	45	NO
RCG206CTX00	3/4"	20	133	0	16	2 → 1	6.2	10		
RCG207CTY00	1"	25	208	0	16	2 → 1	8.8	10		
BCG205CTW00	1/2"	15	75	0	16 / 16	1 → 2 / 2 → 1	6.2 / 5	10	45	NC bidirectional
BCG206CTX00	3/4"	20	133	0	16 / 7	1 → 2 / 2 → 1	8.7 / 5	10		
BCG207CTY00	1"	25	208	0	16 / 5	1 → 2 / 2 → 1	9.5 / 5	10		
DCG205CTW00	1/2"	15	75	0	16 / 16	1 ⇌ 2	3	10	45	DA
DCG206CTX00	3/4"	20	133	0	16 / 16	1 ⇌ 2	5	10		
DCG207CTY00	1"	25	208	0	16 / 16	1 ⇌ 2	8.5	10		

NOTES

- ① Steam max. working pressure 10 bar (9 barg)
- ② Please contact M&M sales Department for other pilot media
- ③ Minimum pilot pressure at the max. working pressure: for lower working pressures please refer to the COMPARATIVE CHARTS

© D15 1201 U

We reserve the right to make changes without notice