

COMMON FEATURES

Media: water, oil, air, aggressive media, steam^①

Media temperature: -10°C ÷ +180°C

Ambient temperature: -10°C ÷ +60°C

TECHNICAL SPECIFICATIONS OF CG TYPE

Body material: bronze (CB491K EN1982)

Bonnet material: brass (CW617N EN12165)

Seal material: PTFE

TECHNICAL SPECIFICATIONS OF PG TYPE

Body material: cast AISI 316L (CF3M), see Piston Actuated Valves Catalogues

Bonnet material: cast AISI 316L (CF3M), see Piston Actuated Valves Catalogues

Seal material: PTFE

OPTIONS

NPT connection (e.g. code PN2070TY00)



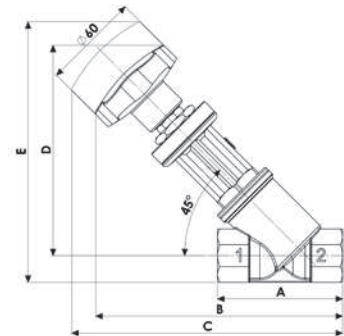
TYPE: CG manual

flow over / under seat

TYPE: PG manual

flow over / under seat

DIMENSIONS & WEIGHTS		DN15	DN20	DN25	DN32	DN40	DN50
G connection	[ISO 228]	1/2"	3/4"	1"	1 1/4"	1 1/2"	2"
A	[mm]	65	75	90	110	120	150
B	[mm]	142	148	163	175	180	198
C	[mm]	150	155	172	188	193	212
D	[mm]	121	126	135	143	148	157
E	[mm]	141	150	165	181	189	205
weight	[kg]	0.75	0.80	1.20	1.80	2.10	3.10



VALVE	body connection	DN	flow rate Kvs	working pressure ^①		flow direction
				min.	max.	
code	[ISO 228G]	[mm]	[l/min]	[barg]	[barg]	—
CG2050TW00	1/2"	15	87	0	25	1 ⇌ 2
CG2060TX00	3/4"	20	164	0	25	1 ⇌ 2
CG2070TY00	1"	25	260	0	25	1 ⇌ 2
CG2080TZ00	1 1/4"	32	410	0	25	1 ⇌ 2
CG2090TK00	1 1/2"	40	700	0	25	1 ⇌ 2
CG2100TJ00	2"	50	916	0	16	1 ⇌ 2
PG2050TW00	1/2"	15	87	0	40	1 ⇌ 2
PG2060TX00	3/4"	20	164	0	40	1 ⇌ 2
PG2070TY00	1"	25	260	0	40	1 ⇌ 2
PG2080TZ00	1 1/4"	32	410	0	25	1 ⇌ 2
PG2090TK00	1 1/2"	40	700	0	25	1 ⇌ 2
PG2100TJ00	2"	50	916	0	16	1 ⇌ 2

NOTE

^① Steam max. working pressure 10 bar (9 barg)