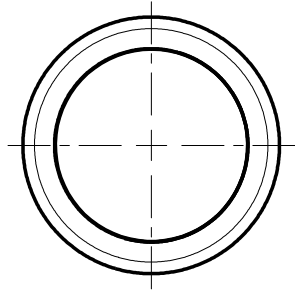
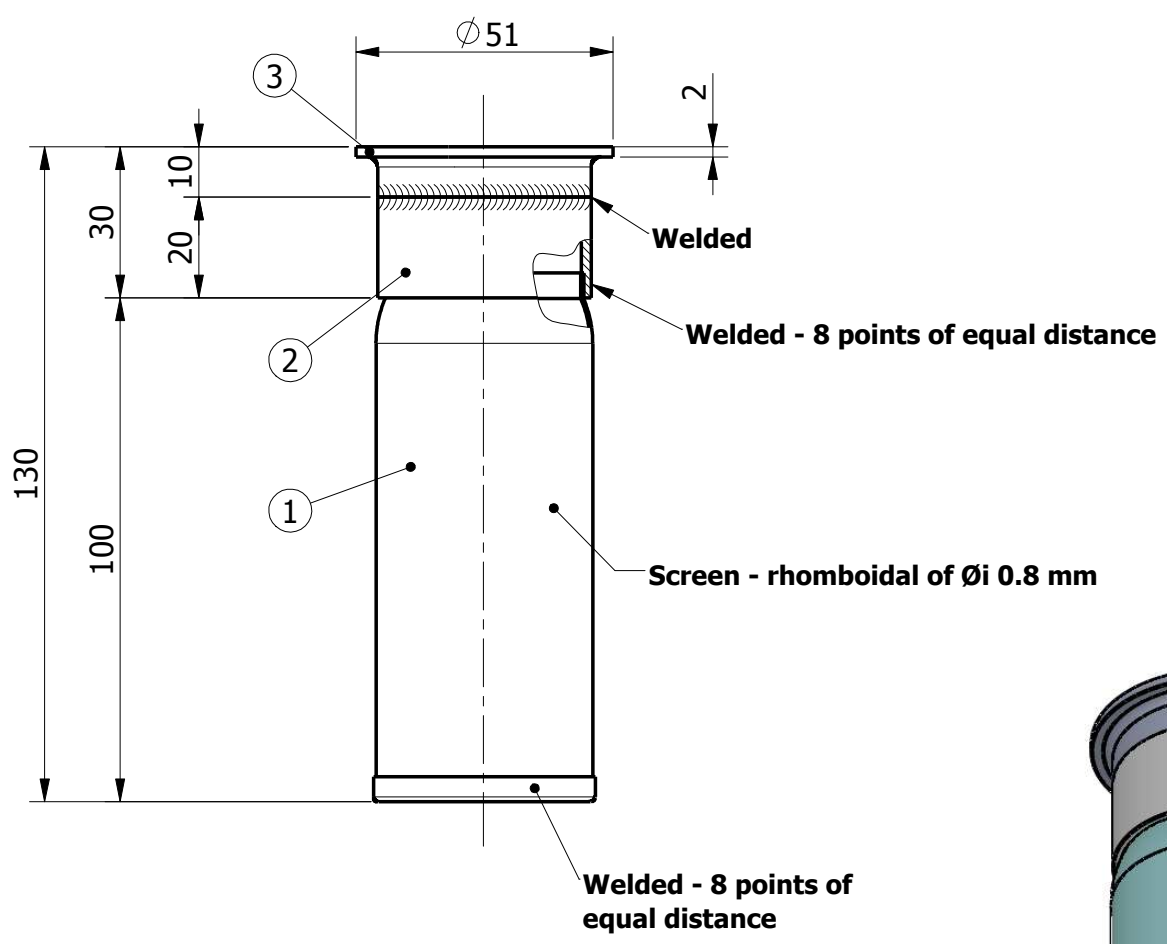


A  
B  
C  
D  
E  
F  
G  
H  
I



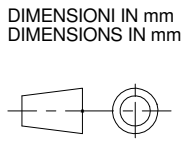
NOTE:  
- Saldature a tig a tenuta stagna

3	CARTELLA DN 32 sp. 2	1	AISI 304	COMMERCIALE
2	SPEZZONE TUBO DN 32 sp. 1.5	1	AISI 304	
1	ASSIEME RETE CON FONDELLO da 1" 1/4	1	AISI 304	06I1613
<b>Pos.</b>	<b>Descrizione</b>	<b>Q.tà</b>	<b>Materiale</b>	<b>N. dis.</b>

TOLLERANZE GENERALI GENERAL TOLERANCES	SCALA SCALE	VALORI ANGOLARI ANGULAR VALUES					MATERIALE / MATERIAL		DISEGN. DRAW	DATA DATE
		±30'					AISI 304		ZANNI R.	13/09/2016
		fino a 3	> 3 a 6	> 6 a 30	> 30 a 120	> 120 a 400	> 400 a 1000		CONTR. CHECK	DATA DATE
	PLASTICA PLASTIC	±0.15	±0.17	±0.25	±0.4	±1	±2.5			
	METALLO METAL	±0.05	±0.05	±0.1	±0.15	±0.2	±0.3	TRATT. TERMICO E/O SUPERF. HEAT/SUPERFICIAL TREATMENT	SOSTITUISCE IL/SUBSTITUTES	
METALLO METAL	±0.1	±0.1	±0.2	±0.3	±0.5	±0.8		SOSTITUITO DA/SUBSTITUTED BY		
METALLO METAL	±0.2	±0.3	±0.5	±0.8	±1.2	±2		Referred to law terms, MONDEO SRL reserves the ownership on this drawing and prohibits to reproduce or communicate it without authorization		



DESCRIZIONE / DESCRIPTION  
**FILTRO DA 1" 1/4 CON CARTELLA**



DIMENSIONI IN mm  
DIMENSIONS IN mm  
CODICE / CODE  
**AVS-900925H08130**  
DISEGNO / DRAWING