

Art. 8P009700 - 8P019500 - 8P009800 - 8P019600

Valvola a farfalla tipo "WAFER" PN16, corpo in ghisa G250 + vernice epossidica, disco in GGG40 nichelato, guarnizione in EPDM [Valpres Art. 600104] o NBR [Valpres Art. 600117], con attuatore.

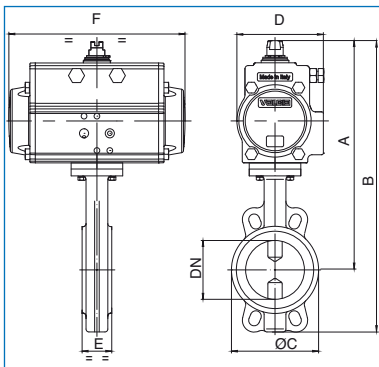
Butterfly valve "WAFER" type PN16, body in cast iron G250 + Epoxy painting, disc in GGG40 nickered, EPDM [Valpres Art. 600104] or NBR [Valpres Art. 600117] seat, with actuator.



Art. 8P009700 EPDM
Art. 8P019500 NBR

VALVOLA CON ATTUATORE DOPPIO EFFETTO
VALVE WITH DOUBLE ACTING ACTUATOR

DN	50	65	80	100	125	150	200	250	300
PN	16	16	16	16	16	16	16	16	16
A	255	267	281	315	327	355	410	471	593
B	326	345	370	417	450	493	578	678	837
Ø C	100	120	127	161	190	215	268	325	400
D	71	71	81	95	95	106	123	137	148
E	43	46	46	52	56	56	60	68	78
F	141	141	164	210	210	241	275	333	372
ACT.	DA 52	DA 52	DA 63	DA 75	DA 75	DA 85	DA 100	DA 115	DA 125
RI	3836	3836	3838	3839	3840	3841	3842	3865	3866



Art. 8P009800 EPDM
Art. 8P019600 NBR

VALVOLA CON ATTUATORE SEMPLICE EFFETTO
VALVE WITH SPRING RETURN ACTUATOR

DN	50	65	80	100	125	150	200	250	300
PN	16	16	16	16	16	16	16	16	16
A	266	279	312	328	354	366	469	524	565
B	338	357	401	430	477	504	637	731	808
Ø C	100	120	127	161	190	215	268	325	400
D	81	81	106	106	123	123	164	186	186
E	43	46	46	52	56	56	60	68	78
F	164	164	241	241	275	275	435	500	500
ACT.	SR 63	SR 63	SR 85	SR 85	SR 100	SR 100	SR 140	SR 160	SR 160
RI	3843	3843	3844	3840	3846	3847	3848	3867	3868

Art. 8P023700 - 8P023800

Valvola a farfalla tipo "WAFER" PN10, corpo in ghisa GG25, disco GGG40 nichelato, guarnizione in EPDM con attuatore.

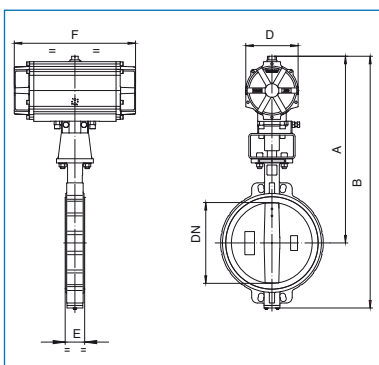
Butterfly valve "WAFER" type PN 10, GG25 cast iron, GGG40 nickel coated disc, EPDM seat with actuator.



Art. 8P023700

VALVOLA CON ATTUATORE DOPPIO EFFETTO
VALVE WITH DOUBLE ACTING ACTUATOR

DN	350	400	450	500	600
PN	10	10	10	10	10
A	709	798	820	908	1111
B	968	1107	1147	1269	1570
D	186	217	217	217	290
E	80	107	119	132	156
F	500	579	579	579	672
ACT.	DA 160	DA 200	DA 200	DA 200	DA 270
RI	4236	4171	4171	4237	4172



Art. 8P023800

VALVOLA CON ATTUATORE SEMPLICE EFFETTO
VALVE WITH SPRING RETURN ACTUATOR

DN	350	400	450	500	600
PN	10	10	10	10	10
A	766	949	971	1029	-
B	1025	1258	1298	1390	-
D	217	290	290	290	-
E	80	107	119	132	-
F	579	672	672	672	-
ACT.	SR 200	SR 270	SR 270	SR 270	-
RI	4238	4193	4193	4239	-